

Weatherstrip for Rear Roof Frame, Replace



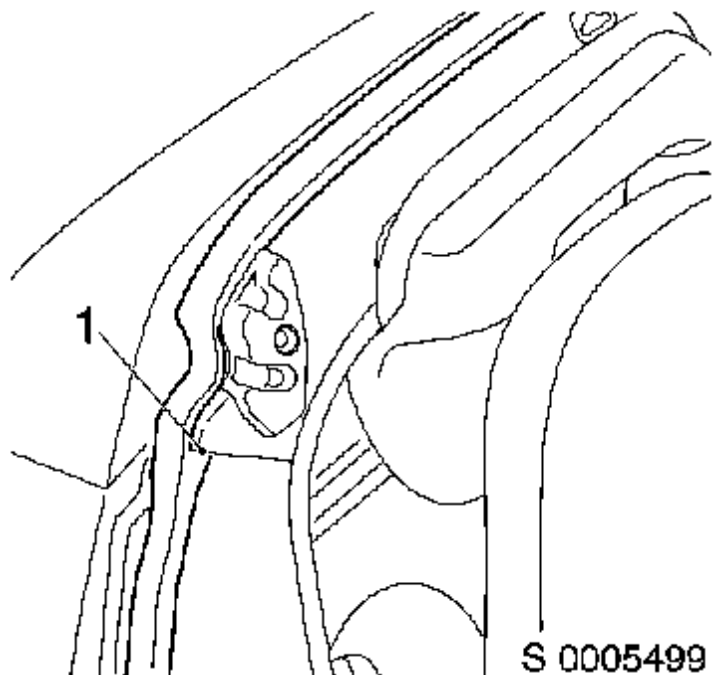
Remove

1. Remove soft top or hard top
2. Remove weatherstrip
 - Pull off weatherstrip
3. Remove all traces of adhesive residue

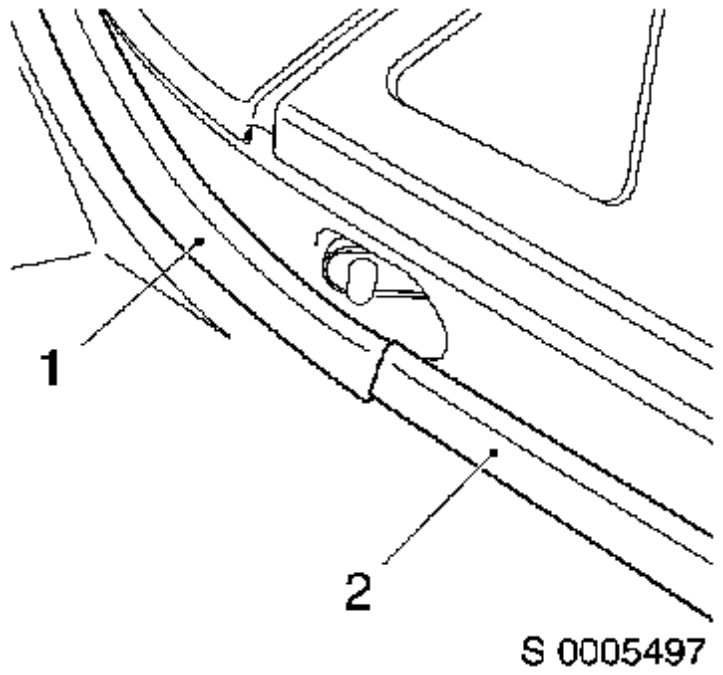


Install

4. Install weatherstrip to rear roof frame
 - Locate weatherstrip in aperture (1) between rear roof frame and B pillar on right and left side



5. Secure weatherstrip to rear roof frame
 - Remove protective tape, position weatherstrip then apply pressure
6. Secure weatherstrip to 2x B pillar
 - Align rear weatherstrip (2) with front weatherstrip (1)
 - Remove protective tape, position weatherstrip then apply pressure



7. Install soft top or hard top